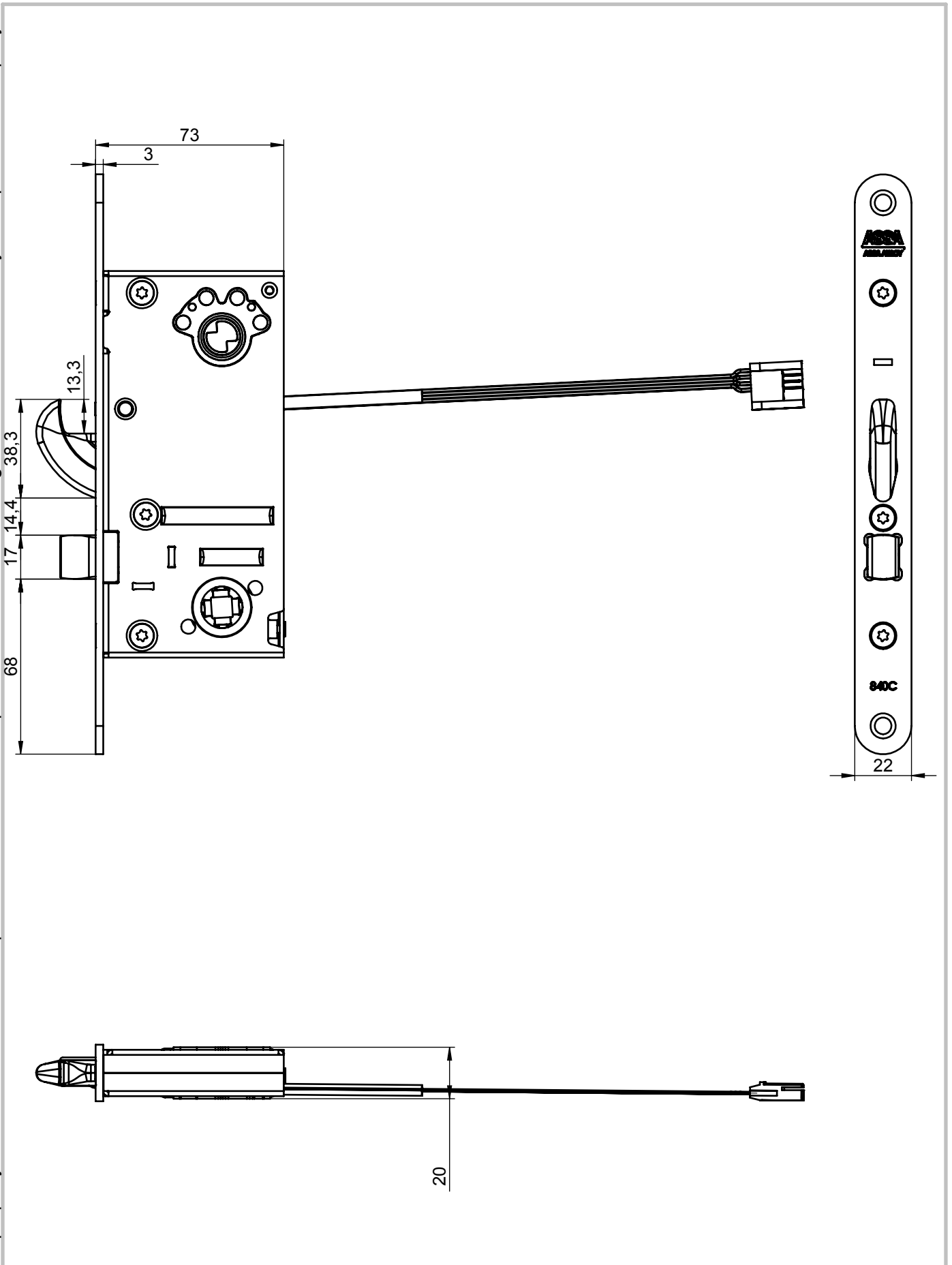


This document is our property and shall not without our permission be altered, copied, used for manufacturing or communicated to any other person or company.



Surface:		Material:		General tolerance:	
		Material <not specified>		ISO 2768-mH	
Volume:	Weight:	Surface area:	created:	designed by:	changed by:
126491.13	777.24		2012-04-02	LaJe	LaJe
<b>ASSA ABLOY</b> ASSA AB			Electromechanical lock Sashlock. Subassembly 840C -50		
			Scale:	Projection:	Rev.:
Alternate ID			1:5 (A4)		1
Document ID				D000037810	